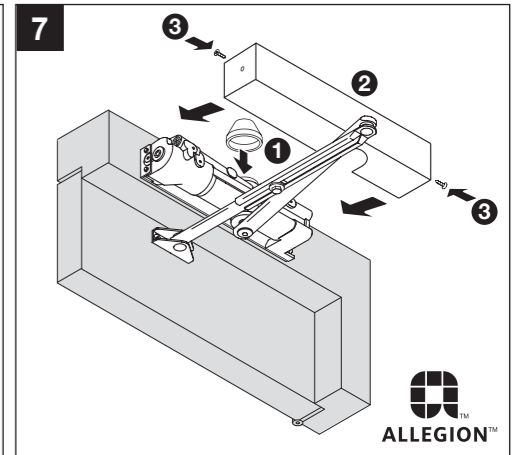
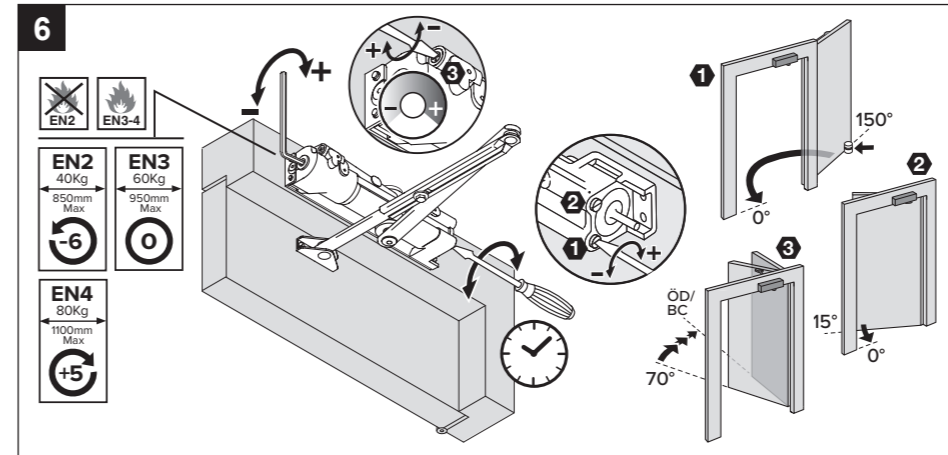
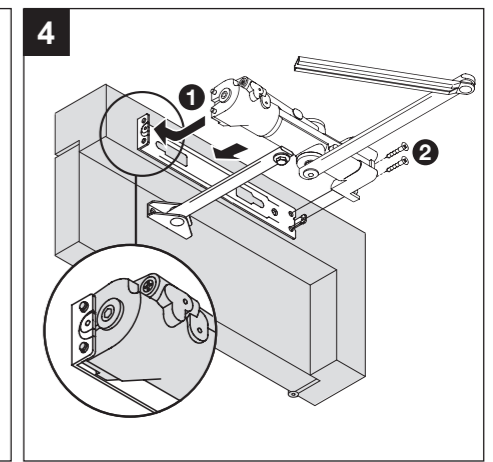
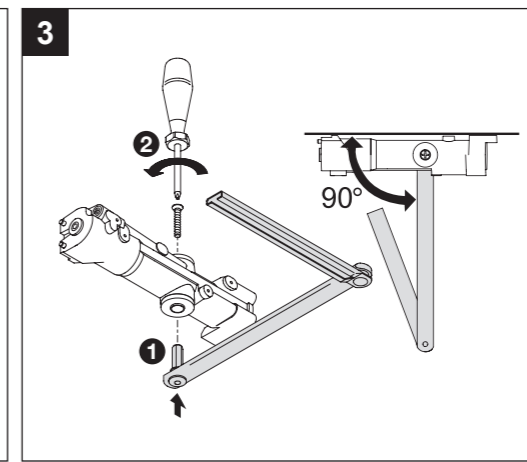
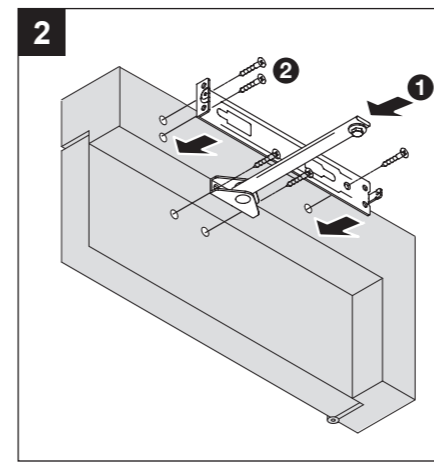
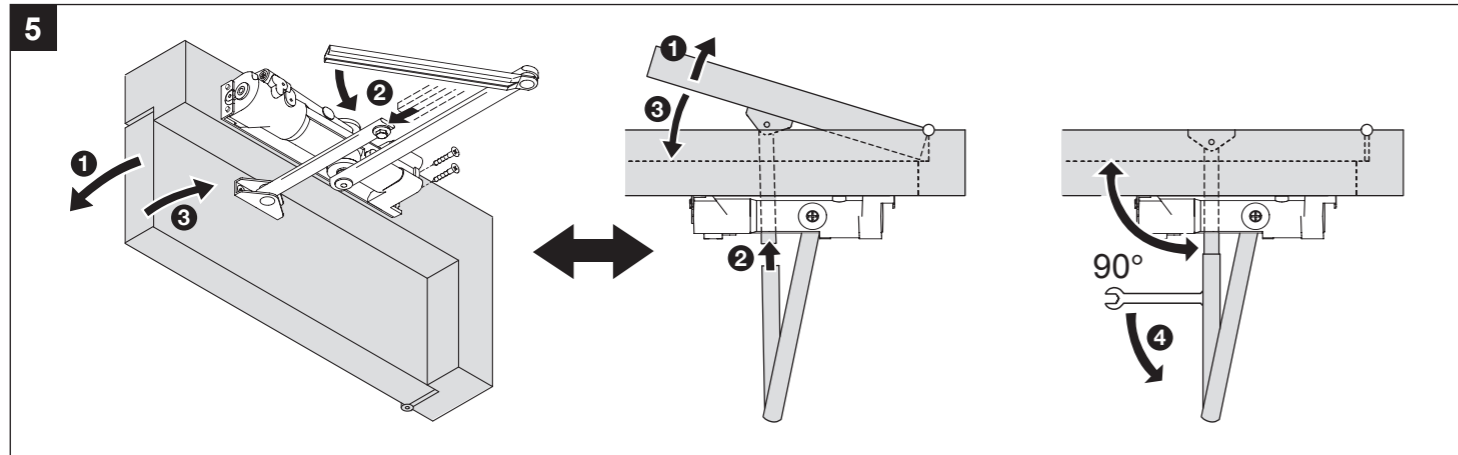
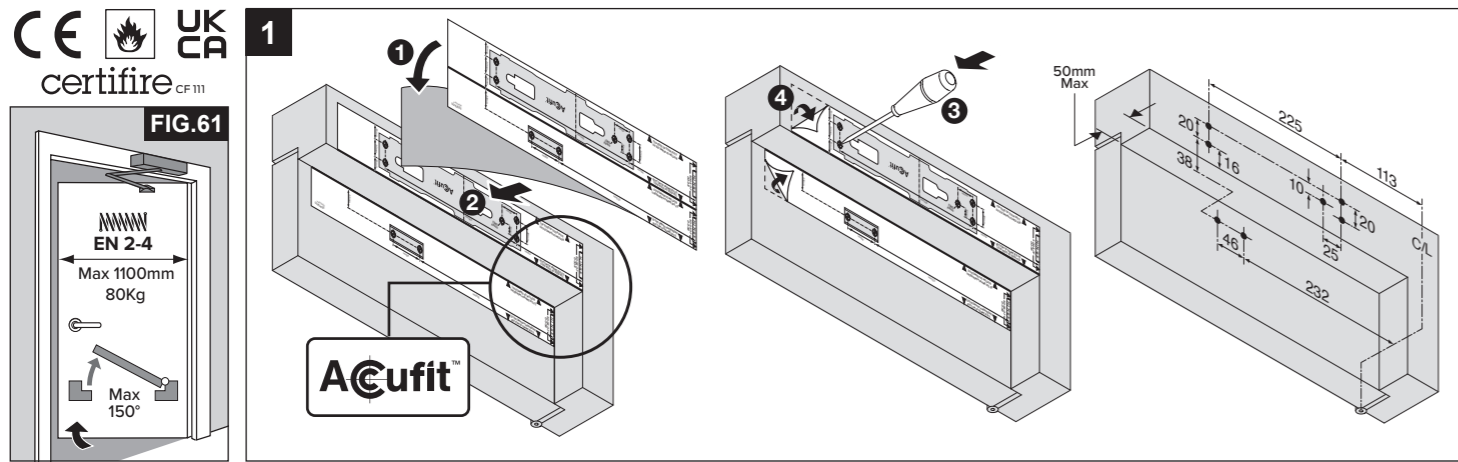
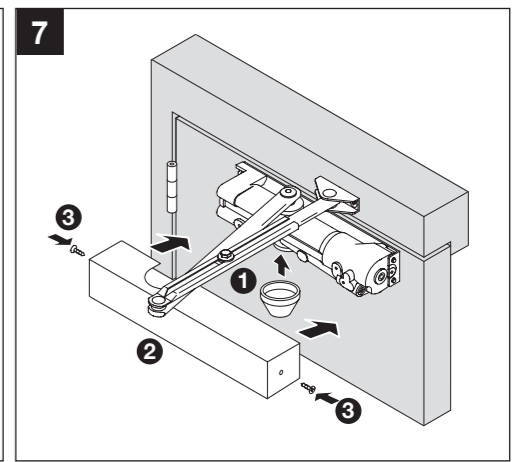
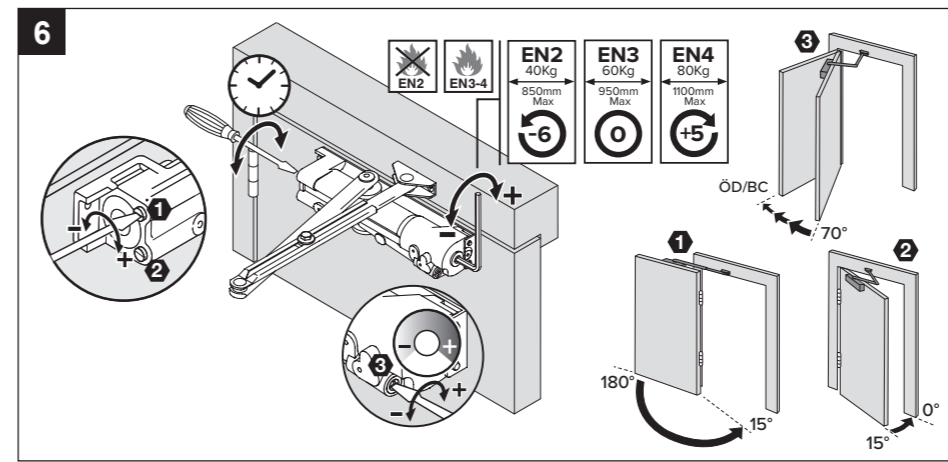
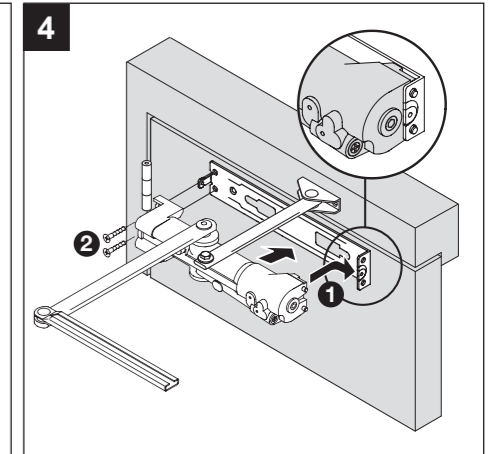
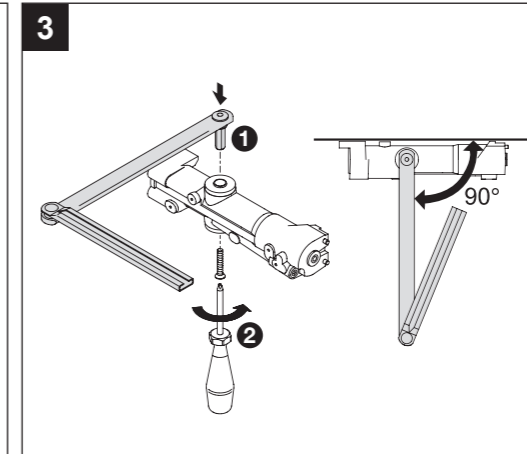
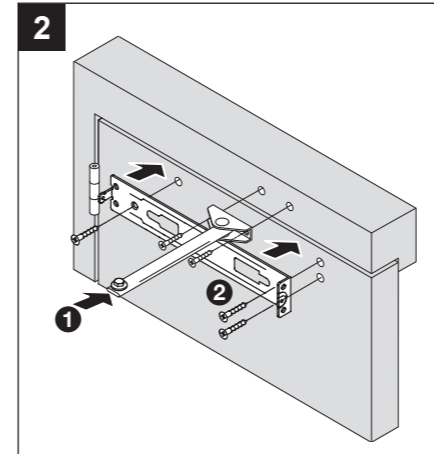
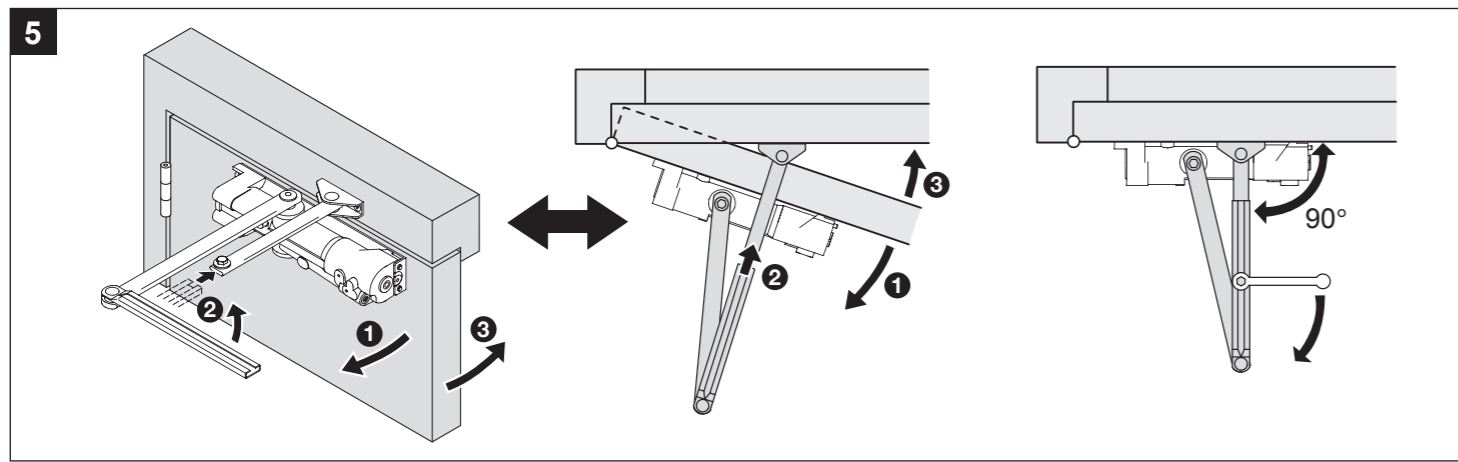
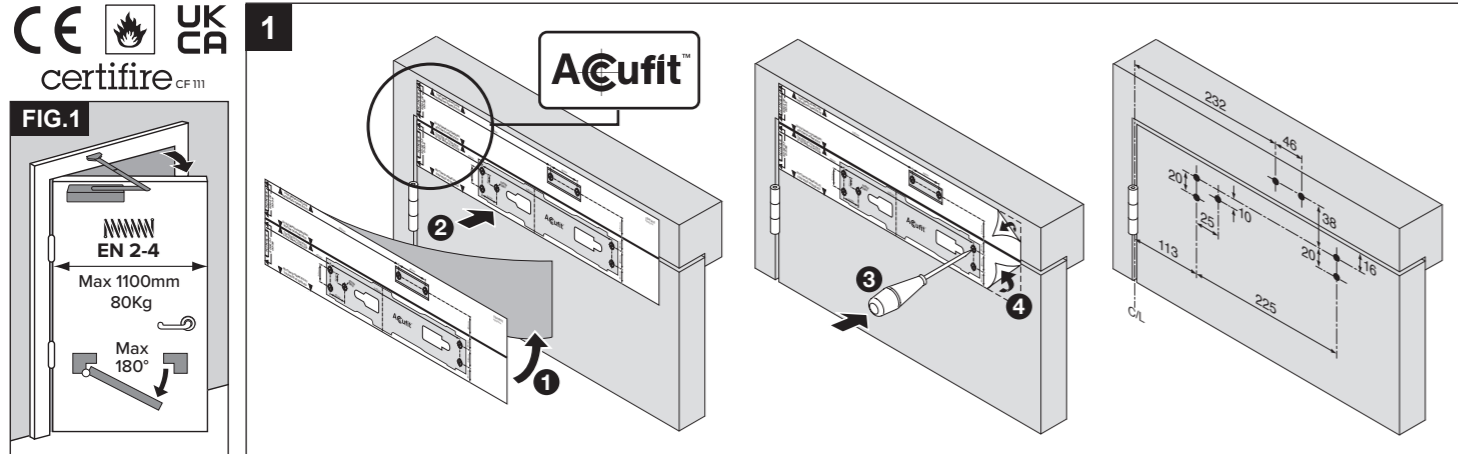
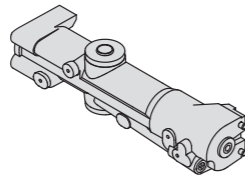


CE	Allegion (UK) Limited 35 Rocky Lane, Aston, Birmingham, B6 5RQ, UK
2812-CPR-AD0168	2005
EN1154-1996+A1:2002	4 8 2/4 11 3
Dangerous Substances: None	
UK CA	1121-CPR-UK-AD7600
	2021





CE	Allegion (UK) Limited 35 Rocky Lane, Aston, Birmingham, B6 5RQ, UK	
	2812-CPR-AD0168	2005
EN1154-1996+A1:2002		4 8 2/4 11 3
Dangerous Substances: None		
UK CA	1121-CPR-UK-AD7600	
	2021	

3 months
mois
meses
maanden
by

